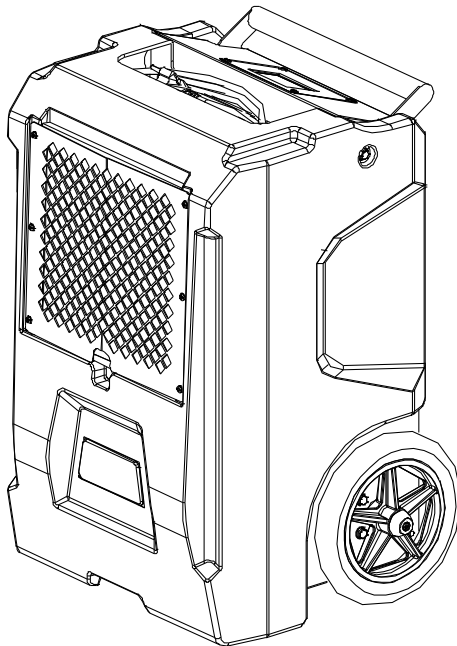




# Owner's Manual

## Storm DP Dehumidifier

- (110-120V/60Hz, 220-240V/60Hz,dual-voltage)
- (110-120V/60Hz,single-voltage)



Intertek

**ALORAIR SOLUTIONS INC.**

Add:14752 Yorba Ct Chino CA 91710 US

Tel: 1-888-990-7469

Web: [www.alorair.com](http://www.alorair.com)

# TABLE OF CONTENTS

Overview	3
Features	4
Specifications	4
Operation Notes Guidelines	5
Operation	7
Troubleshooting	12
Maintenance	13
Warranty	15

## WARNING

Please read and understand these warnings and instructions before using the machine.  
Do not operate this device with the case opened or canceled.

## WARNING

Do not adjust or correct the machine in any way. Only use and replace parts authorized by ALORAIR products. Modify or use approved parts.  
It may cause danger or damage the machine, and the warranty will become invalid. You should contact your dealer for assistance in this regard.

## WARNING



1. Make sure to unplug the power plug before servicing.

2. Risk of electric shock



Before opening the machine cover, make sure to unplug the power cord.  
Make sure the power cord is properly grounded.

Check that the power cord is not damaged. If the plug is damaged, do not use the machine.



3. Be careful that moving parts can injure your hands. Make sure the power plug has been unplugged before servicing.



4. The surface of the device may be hot. Allow the equipment to cool before performing maintenance procedures.

# OVERVIEW

Storm DP Dehumidifier has an extremely high water-repellent capacity, which makes the machine an authorized machine to meet recovery needs. The flexible installation makes it ideal for almost all applications. It is the best choice for all urgent post-water injection repair tasks (elimination of moisture and early prevention of mold growth). Its wide range of applications include flooding and restoration, carpet cleaning, laundry, merchants, garages, etc... or anywhere you need to extract moisture at a professional level.

New generation surface scratch resistance polyethylene shell 25% than the previous generation. The self-developed rotating shell design is easy to maintain and beyond imagination. Telescopic handles and rubber tires are stacked together for easy transportation. Under the condition of unchanged performance, the volume of the whole machine is 40% smaller. Simplified user controls include a large LCD display and APP control. It can control the dehumidifier at home anytime and anywhere, plus the built-in pump to pump water through the dehumidifier more intelligently.

# FEATURES

- Smart Wi-Fi & APP control
- Easy clean – shell can be opened to access all components
- Easy to store wires and hoses
- Built-in Condensate Pump
- Environmental R410A Refrigerant
- Sturdy handle-Large Diameter Wheels
- Microchannel Cold a Heat Exchanger
- Rotational Molded Body
- Superior Stacking
- Rotary Compressor
- Ducting Options
- Water-Full Protection
- Automatic Humidistat Control
- Quick Connection to Cable/Hose
- Memory Starting
- MERV-8 Filter
- Low Temperature

# SPECIFICATIONS

- Power(dual-voltage):110-120V/60Hz,4A,220-240/60Hz,2.8
- Power(single-voltage):110-120V/60Hz,4A
- Size For: Up to 1,300 sq.ft
- Filter: MERV - 8 Filter
- Airflow: 150 CFM, 250 CMH
- Sound Pressure Level: < 58 dBA
- Refrigerant: R410A
- Wheel: 2 Wheels
- Draining: Condensate Pump
- Functioning Temperature Range: 33.8~104 °F
- Functioning Humidity Range: 25~80%
- Water Removal (AHAM): 50 PPD@80 °F-60%
- Weight(dual-voltage): 58 lbs
- Weight(single-voltage):74.95 lbs
- Unit Dim(L x W x H): 17" X 14" X 23.1"

# OPERATION NOTES GUIDELINES

The unit should be operated stored and transported on stable surfaces. For efficiency purposes, the windows and the doors should be closed avoid placing the unit in a place where the air outlet and inlet are blocked.

## **Drain Hose Notes**

It comes with a drain line connection that is easily plugged in the unit .

The drain line may be directed into the drain or the sink .

For proper drainage, uncoil the hose before you deploy it to use.

The end of the hose should never be placed at the height of 15 feet.

Always ensure that the drain hose is not blocked before you embark on using it.

## **Transportation Notes**

During transportation, you must secure the dehumidifier using elastic bands.

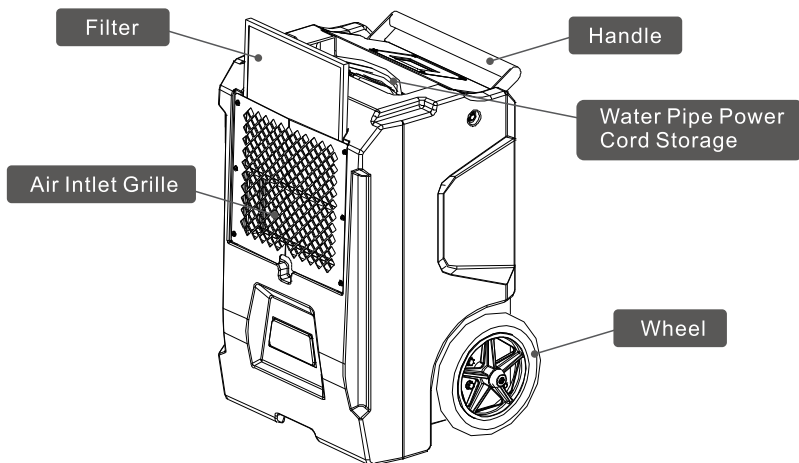
If the unit is transported vertically, let it stand in a normal position for not less than 30 minutes before using it.

## **How it works**

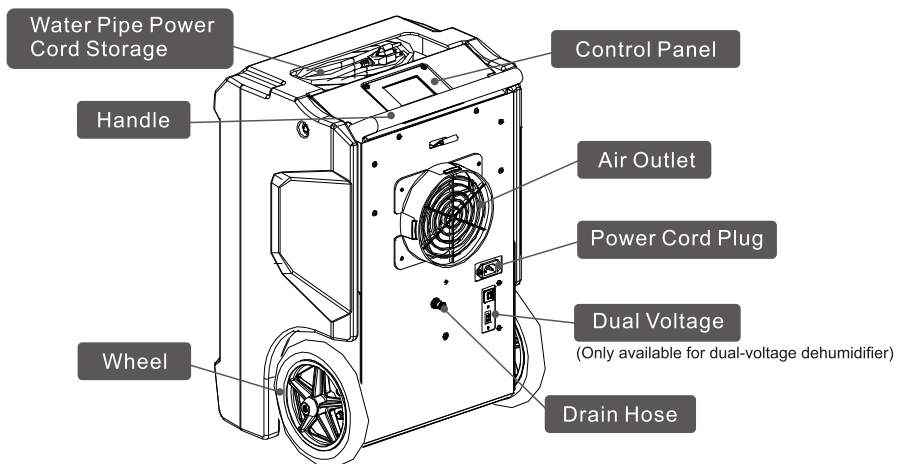
The dehumidifier uses an integral humidistat in monitoring the conditioned space. As soon as the conditions get beyond the desired level, the air is energized. The compressor will then push it across the evaporator coils. The coil is cooler than the dew point. So the water vapor will be forced to condensate into liquid. The cool air will then be reheated before it is distributed into the room.

# Storm DP Dehumidifier

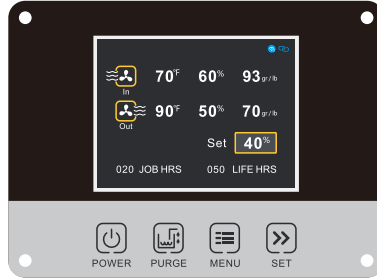
## Front View



## Back View



# OPERATION



POWER

Press the **POWER** button to turn the dehumidifier ON and OFF.



PURGE

Press the **PURGE** button to purge the machine.



MENU

Press the **MENU** button to advance to the next screen or to enter a value.



SET

Press the **SET** button to scroll through available values.

## OPERATION NOTES GUIDELINES



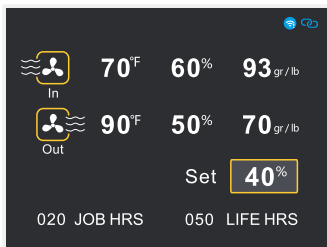
1. When the unit is plugged in you will see the AlorAir LOGO.



2. The display will inform the machine is in shutdown mode, press the “Power button” to turn on.



3. When the machine is in dehumidification mode, the display will show:



**In:** Temperature, Humidity, GPP of the current inlet. GPP= Grains per pound (GR/LB)



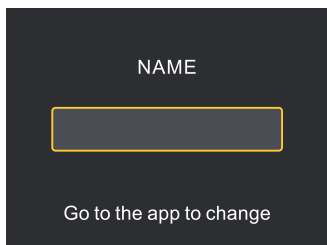
**Out:** Temperature, Humidity, GPP of the current outlet. GPP= Grains per pound (GR/LB)



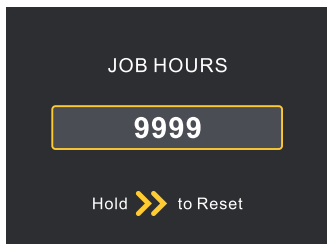
**Set:** The humidity value currently Set (the machine will stand by after the humidity reaches the Set value)



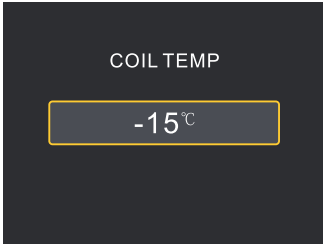
Job hours and Life hours display.



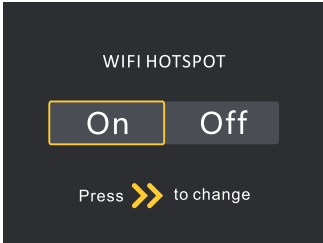
4.1 Press the MENU button to enter the submenu. Device name displayed on the screen. Go to the APP to change only applicable to an app-controlled dehumidifier. Press the MENU button to confirm selection and advance to the next screen.



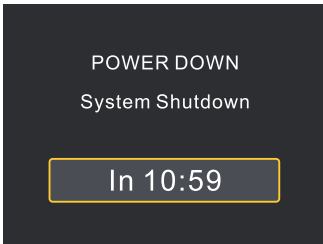
4.2 Display the working hours of this time. Press the MENU button to confirm selection and advance to the next screen.



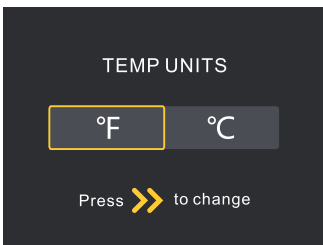
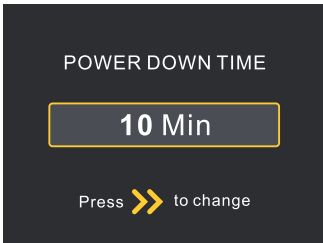
**4.3** The screen displays the Coil temp. Press the MENU button to confirm selection and advance to the next screen.



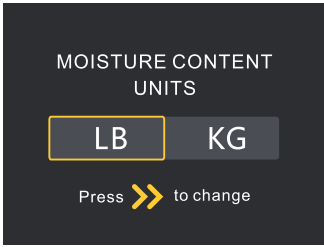
**4.4** Wifi Hotspot: Factory setting is "OFF", press "set button" to enable Wifi hotspot and switch ON/OFF. The device can transmit data and receive APP commands. The icon flickers when connected to the main interface. After a successful connection, the icon displays normally. Only applicable to APP-controlled dehumidifier. Press the MENU button to confirm selection and advance to the next screen.



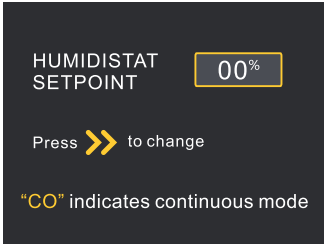
**4.5** Press the "power button" to turn off the dehumidifier, the dehumidifier will go through a shutdown cycle. The shutdown cycle can be adjusted according to "Settings", and the shutdown cycle can be adjusted from 3 minutes to 20 minutes to better drain the water.



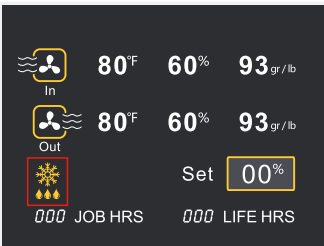
**4.6** Press the Set button to toggle the temperature units between °F and °C. Press the MENU button to confirm selection and advance to the next screen.



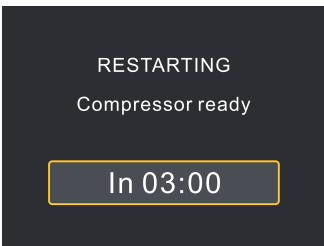
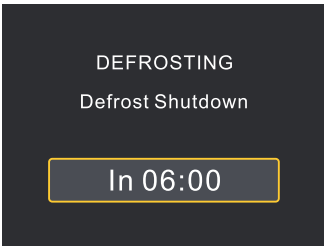
**4.7** Press the “Set button” to switch GPP units between gr/lb. or gr/kg. Press the “MENU button” to confirm the selection and advance to the next screen. GPP= Grains per pound (GR/LB)



**4.8** Press the “Set button” to adjust the set point RH% in 5% increments ranging from 25 to 80% RH. and then loop back to CO. Adjust to CO mode, dehumidifier always running. Press the “MENU button” to confirm selection and advance to the next screen.



**4.9** The display prompts the user that the defrost cycle is in progress. The defrosting status is displayed on the main interface as a flashing icon until the defrosting ends and the defrosting lamp disappears. In the meantime, please wait patiently for the machine to finish frosting.



**5.0** The compressor is in a protective condition. During this period, please be patient and wait for the countdown to end. The dehumidifier will automatically turn on after the countdown.

## PURGING SYSTEM

starting 28 second

purge cycle

**5.1** When the purge button is pressed the display will tell the user on the dashboard that the pump is draining and display a 30-second countdown timer. Until the machine finishes draining, the display will also prompt the user on the dashboard that the machine is draining automatically, and display a 30-second countdown.

The dashboard display shows the following information:

- In**: 80°F, 60%, 93 gr./lb
- Out**: 80°F, 60%, 93 gr./lb
- Set**: 00%
- JOB HRS**: 000
- LIFE HRS**: 000

# TROUBLESHOOTING

Symptom	Cause	Solution
A blank Display	Inappropriate Connection	Check and ensure that the two ends of the power code are properly plugged in
	Power Outage	Try to have the power reset
The air is not flowing	A dirty Filter	The filter should be cleaned
	A blocked air outlet and inlet	Remove the blockage
Error Code: E1	Communication or humidity sensor error	Ensure the sensor wire is properly connected at the two ends. If no issue is visible, it shows that the sensor is faulty.
Error Code: E4	Problem with Pump	Verify that the pump is properly installed and functioning. If so, unplug the unit for two minutes, then restart.
Error Code: LO	It comes forth when the temperature in the room falls below 33° F	The temperature in the room must be increased and should be above 33°F. If an error is displayed, you may need to check the sensor.
Error Code: HI	It occurs when the room temperature is above 105°F	Reduce the temperature to below 105°F. But if the error is still being displayed, check the sensor.
E5 Error Code	Leaking of the Refrigerant	Get help from installation assistant.



Wi-Fi connection successful.



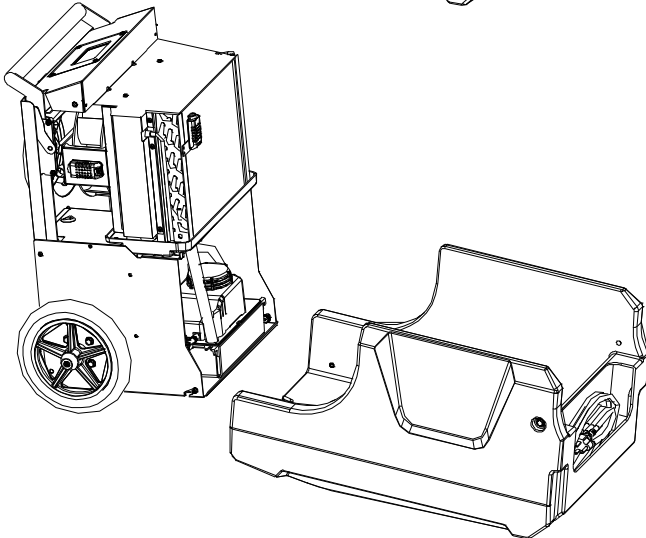
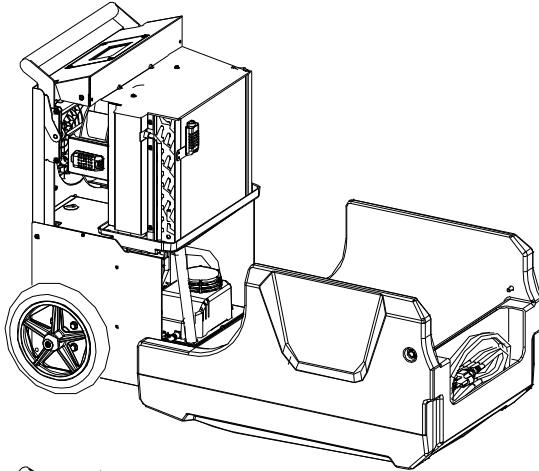
Connection to server failed.



Hotspot direct successful icon.

# MAINTENANCE

1. Remove the two screws on the mold cover.
2. Rotating shell.
3. Tilt the machine at a certain angle to remove the casing from the machine.
4. Clean the inside of the machine. Soap insolvants should not be used.

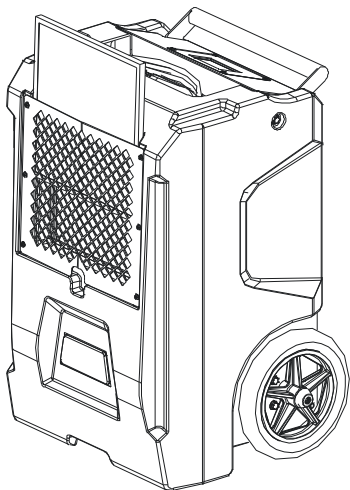


## Cleaning the Machine Body

Use a soft, damp cloth to clean the exterior parts of the unit. Do not use any soap or solvents.

## Procedure for filter maintenance

The dust and obstacles on the filter should be removed regularly. You may need to clean and replace the filter.



### Step:

1. Unplug the unit.
2. Remove the filter by sliding it upward from the bottom by hand to remove it.
3. Check for dirt and build-up.
4. For MERV-8 or Pre-filter, wash it in warm water or vacuum it. Do not use soap or cleaners. Also, shake it gently and ensure the filters are dry before reinserting it.

# Limited Warranty

This limited warranty starts from the date of purchase. Alorair Solutions Inc. warrants to the original purchaser that this ALORAIR product is free from manufacturing defects in material or workmanship for the limited warranty period of:

**Six (6) Month parts and labor.** This includes the shipments charges for replacement parts or unit.

**One (1) year parts and labor.** This does not include the shipment charge to send the defective product back to be repaired or replaced.

**Three (3) years parts and labor on Refrigeration System ONLY (Compressor, Condenser, and evaporator).** Transportation cost, not included.

**Five (5) years parts on Refrigeration System ONLY (Compressor, Condenser, and evaporator).** Transportation cost, not included.

This limited warranty is valid only on products purchased from the manufacturer or ALORAIR authorized dealer and operated, installed, and maintained according to the instructions included in this user guide or furnished with the product. Alorair Solutions Inc will not provide in-home service during or after the warranty period. You may be responsible for the shipping charge to bring the product to the manufacturer for service.

To receive warranty service, the purchaser must contact ALORAIR at 888-990-7469 or support@alorair.com. A proof of purchase or order number is required to receive warranty service. During the applicable warranty period, a product will be repaired or replaced at the sole option of ALORAIR.

## Limited Warranty Exclusions

This limited warranty covers manufacturing defects in materials or workmanship encountered in normal household, commercial or noncommercial use of this product and shall not cover the following:

- Damage occurs in uses for which this product was not intended for.
- Damage caused by unauthorized modification or alteration of the product.
- Cosmetic damage including scratches, dents, chips, and other damage to the product's finishes.
- Damage caused by abuse, misuse, pest infestation, accident, fire, floods, or other acts of nature.
- Damage caused by incorrect electrical line current, voltage, fluctuations, and surges.
- Damage caused by failure to perform proper maintenance of the product.

The use of this product in SPA or a room with OUTDOOR POOL invalidate or voids limited warranty.